

FORD F-450/F-550

6.8L V10 | Chassis Cab

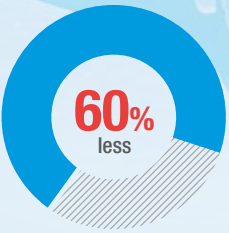
Propane Autogas Fuel System

Reduce Your Fuel Costs

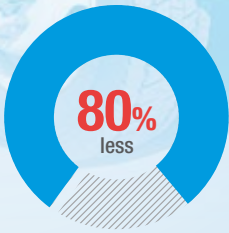
GASOLINE	3.50
DIESEL	3.92
PROPANE	1.85

REDUCE YOUR EMISSIONS

Propane Autogas vs. Diesel



Nitrogen Oxide



Hydrocarbons

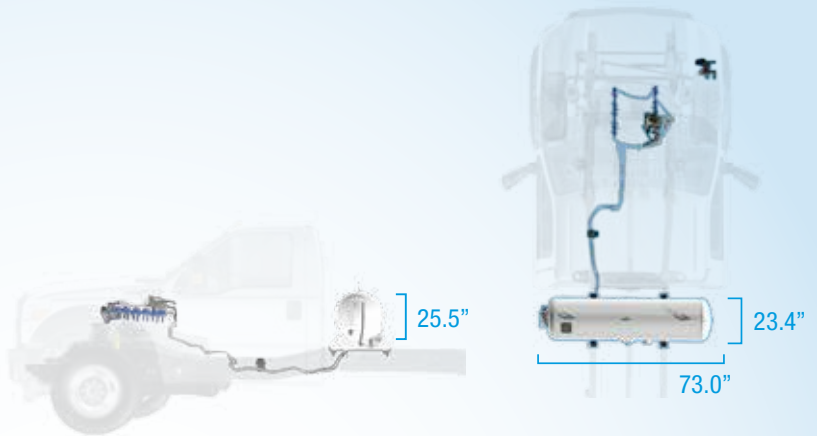


Particulate Matter

FORD F-450/F-550 | 6.8L V10

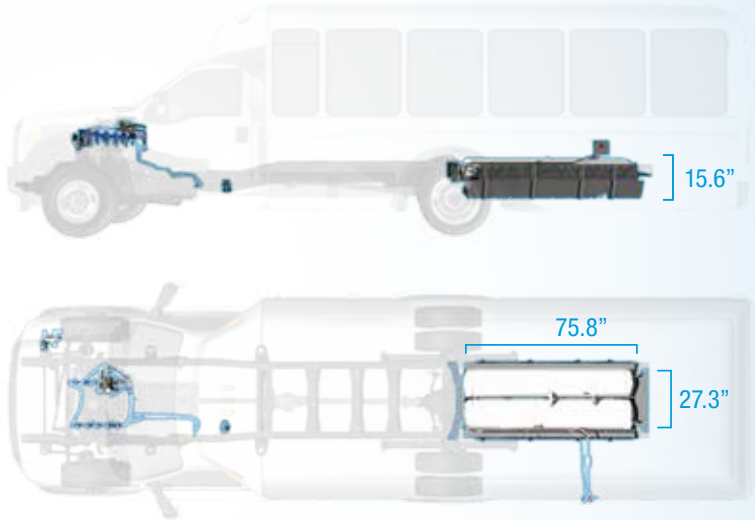
Aft-Cab Tank

Capacity	52 usable gallons
Depth	23.4" (front/back)
Width	73.0" (cross-car)
Height	25.5" (mounting surface to top)
Number of Tanks	1
Tank Location	Aft-Cab
Assembled Weight	242 lbs



Aft-Axle Tank

Capacity	65 usable gallons
Length	75.8"
Width	27.3" (total width)
Height	15.6" (mounting surface to top)
Number of Tanks	1 (dual manifold tank)
Tank Location	Aft-Axle (rear)
Assembled Weight	324 lbs



Compliance

EPA	Yes
CARB	Yes
FMVSS	Yes
NHTSA	Yes
NFPA-58	Yes

General Specifications

Model Years	2012-2014
Engine	6.8L V10
Horsepower	362 HP
Torque	457 lb.-ft.
Transmission	5-Speed Automatic
Gaseous Prep Engine Code	98G
GVWR	Up to 19,500 lbs

Requirements

Aft-Cab Tank: Clearance of 25.5" between the cab and the body for the tank to mount directly to the frame rails.

Coming Soon

Saddle Mount Tank



Please contact ROUSH CleanTech at 800.59.ROUSH to learn more about vehicle and fuel system configurations before ordering.

Easy Order to Delivery Process

- 1 ORDER THE VEHICLE**
- 2 ORDER THE FUEL SYSTEM**
- 3 FORD BUILD PROCESS**
- 4 SHIP-THRU BUILD PROCESS**
- 5 VEHICLE DELIVERY**