

# FORD F-250/F-350

6.2L V8 | Pickup Truck

## Propane Autogas Fuel System

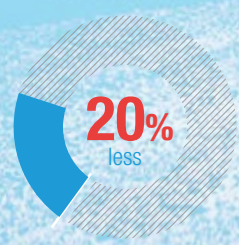


### Reduce Your Fuel Costs

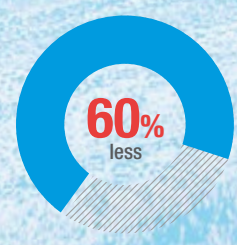
GASOLINE	<b>3.50</b>
DIESEL	<b>3.92</b>
PROPANE	<b>1.85</b>

### REDUCE YOUR EMISSIONS

Propane Autogas vs. Gasoline



Nitrogen Oxide



Carbon Monoxide



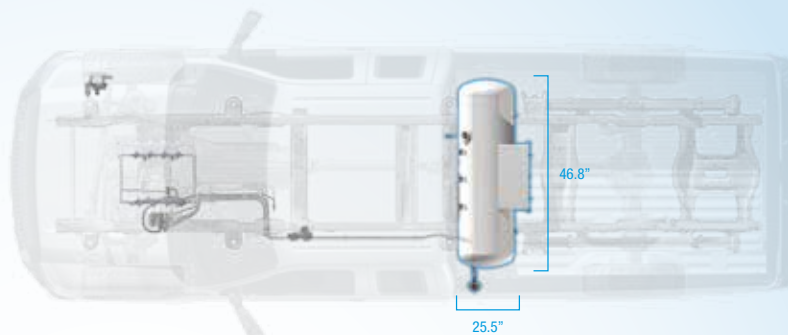
Greenhouse Gases

# FORD F-250/F-350 | 6.2L V8

## In-Bed Tank

### Fuel Tank Specifications

<b>Capacity</b>	38 usable gallons
<b>Length</b>	25.5"
<b>Width</b>	46.8"
<b>Height</b>	22.3"
<b>Tank Location</b>	In-bed



## Under-Bed Tank

### Fuel Tank Specifications

<b>Capacity</b>	21 usable gallons
<b>Length</b>	17.3"
<b>Width</b>	60.8"
<b>Height</b>	14.6"
<b>Tank Location</b>	Under-bed



## Compliance

<b>EPA</b>	Yes
<b>CARB</b>	Yes
<b>FMVSS</b>	Yes
<b>NHTSA</b>	Yes
<b>NFPA-58</b>	Yes

## General Specifications

<b>Model Years</b>	2012-2015
<b>Engine</b>	6.2L V8 (gasoline)
<b>Horsepower</b>	385 HP
<b>Torque</b>	405 lb.-ft.
<b>DriveTrain</b>	4x2 or 4x4
<b>Transmission</b>	6-speed automatic
<b>Cab Configurations</b>	All cab configurations
<b>Bed Configurations</b>	Pickup beds Bed delete Chassis cab (in-bed tank only)
<b>GVWR</b>	7,110 - 14,000 lbs

## Requirements: Under-Bed Tank

Tank configuration is not available on chassis cab or 6.75 ft. bed but is available for bed-delete and 8-ft. bed option.



Please contact ROUSH CleanTech at 800.59.ROUSH to learn more about vehicle and fuel system configurations before ordering.

## Easy Order to Delivery Process

**1** ORDER THE VEHICLE

**2** ORDER THE FUEL SYSTEM

**3** FORD BUILD PROCESS

**4** SHIP-THRU BUILD PROCESS

**5** VEHICLE DELIVERY